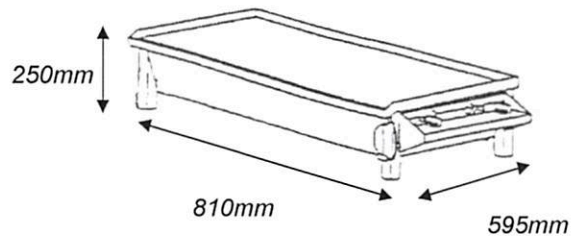




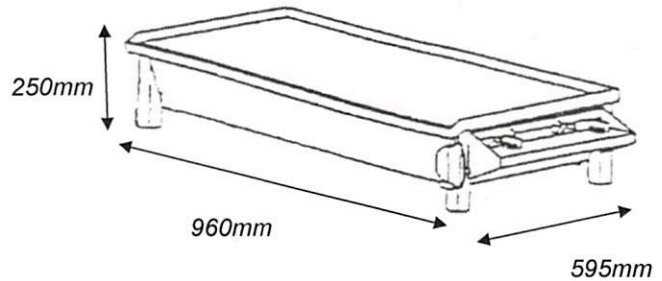
Measurements for BBQS without Legs – all sizes
(To be placed in a recess or on a bench)

- Leaving the left handle off the BBQ enables you fit the BBQ into a smaller recess. If you do want to leave the handle on you will need to add 110mm to the length of the BBQ.
- Add 70mm to the height of the BBQ if including a warming drawer. You will also need a set of "Built In legs" if you are wanting to use a warming drawer on a built in BBQ.
- The dimensions of the stub legs are 38mm x 38mm.
- Make sure the rear flue is not blocked when building the BBQ in.
- **Allow 25mm clearance on all sides of the BBQ hotplate from non-combustible surfaces.**
Please note: the cabinetry for the 25mm clearance has to be either non-combustible or if using a combustible material it has to be constructed using frame work, not solid panels. If the cabinetry is built from combustible framework and has a non-combustible lining you can use the 25mm clearance. If however the backing of the non-combustible lining is solid and combustible you will have to adhere to the 200mm clearance mentioned below and on the following page.
- **Allow 200mm clearance on all side of the BBQ hotplate from any combustible surface.** See following page.

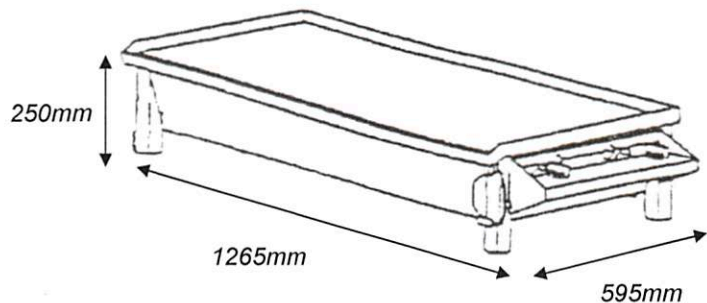
700 BBQ without Left-hand Handle



850 BBQ without Left-hand Handle



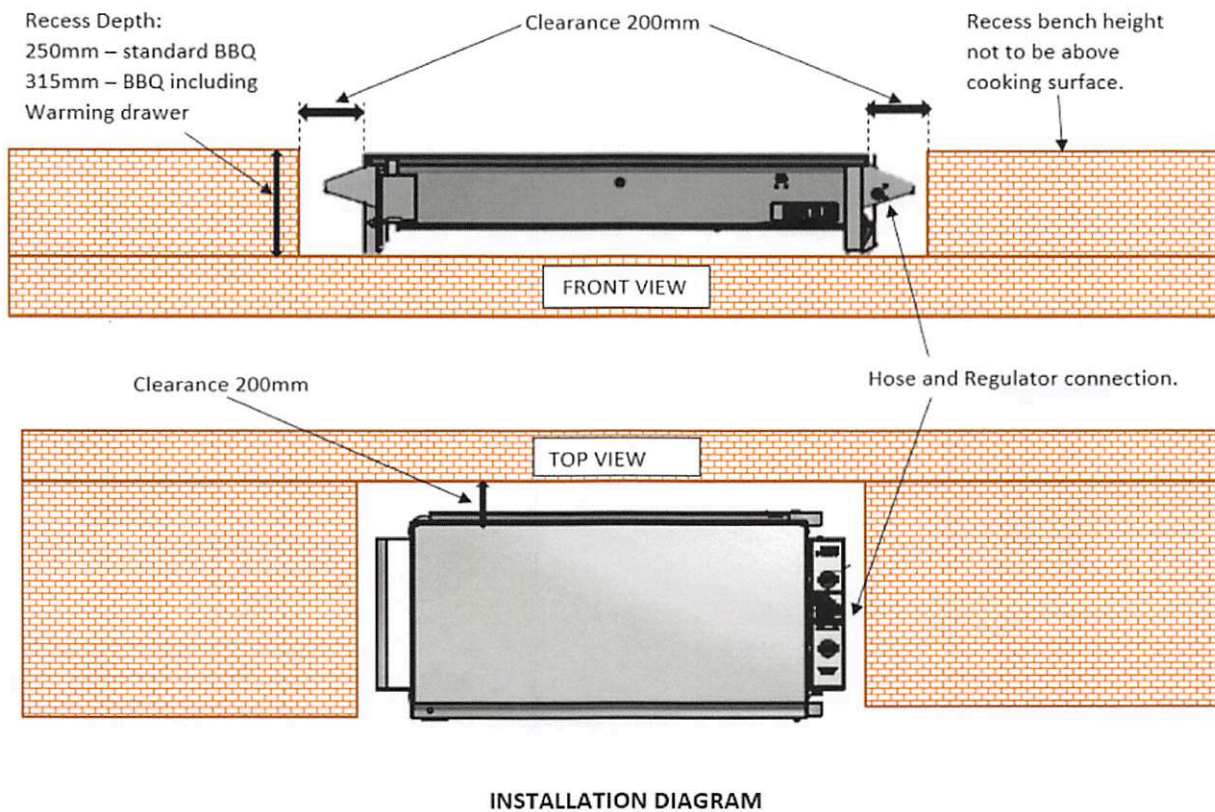
1150 BBQ without Left-hand Handle



Heatlie Barbecue Without Legs Assembly

Note: If Warming Drawer is being used, please refer to 'Assembly of Heatlie Accessories' before commencing.

Barbecue without legs can be located in a recess or on a bench. Any vertical surface of a combustible nature (i.e rear / side wall or enclosure panel) of a recess installation or any adjacent bench wall be not less than 200mm to the edge of the cooking plate. Any horizontal bench surface shall level with or below the position of the cooking plate at the completion of the installation. Refer installation diagram for detail. Attached to your BBQ without legs are security feet. The security feet can be located in any position before fixing by inserting a 10mm allen key, undoing the screw and rotate. These feet are to be attached to your bench or recess with a dyna bolt or other permanent fixing. If the BBQ is configured for LPG the gas cylinder is to be located adjacent to the appliance in a position to ensure the gas cylinder does not overheat, where it is protected and securely located but also does not strain the hose. Ensure that the hose is disconnected when moving the BBQ so as not to impart undue stress on the hose.



Note: Our product is certified to the appropriate standard for installation without legs in a recessed location at the minimum clearances as detailed in our installation instructions. For installation in an alternate location and outside the scope of our installation instructions, ie trailer mounted appliance - refer to your local technical regulator for guidance and approval.